

## PLATINUM 300 SMART-HEAT GAS HEATER

OUT-90-201

Gas patio heater from Australian Bromic Heating. Absolutely top quality and a stylish design that will warm up your outdoor spaces.

### TECHNICAL SPECIFICATIONS

---

#### Key Specifications

	Bromic
Brand	Bromic
Use	Outdoor
Warranty	2 years

#### Size & Weight

Length/Width	56 cm
Height	42,1 cm
Depth	40,3 cm

#### Technical Specifications

Type of Light	Ceramic Burner
Flame	No
Fuel	Gas
Fuel	Natural Gas
Fuel	LPG
Heating Area	15 m <sup>2</sup>
Heat output (max)	7 kW

#### Features

Control	Remote Control
Remote control	Yes (add-on)
Timer	No

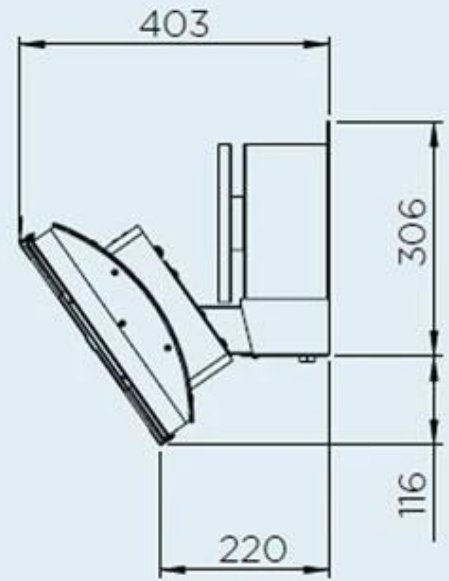
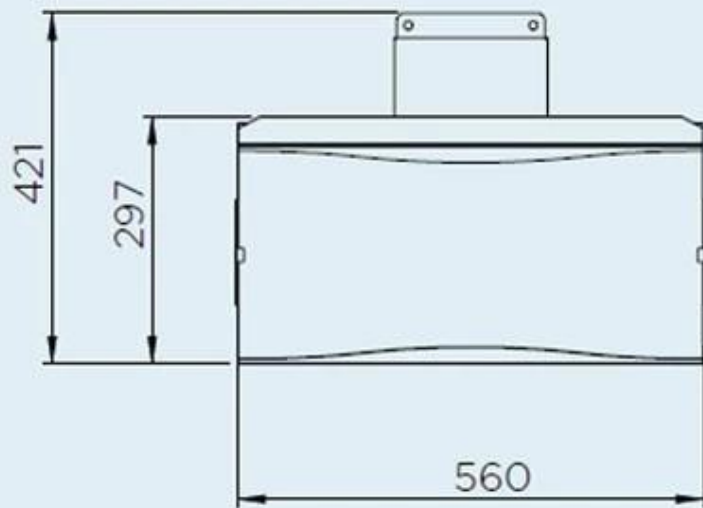
#### Material & Appearance

Material	Stainless Steel
Colour	Black
Glas included	No

#### Installation Details

Distance Sides	29,7 cm
Distance Above	110 cm
Distance below	250 cm
Distance below	200 cm
Power Requirements	No





WITH HEAT DEFLECTOR

