

FOCO TWO 1000

BIO-30-105

Foco Two 1000 is an elegant double-sided tunnel bioethanol fireplace designed for built-in installation, allowing you to enjoy the flames from two opposite sides. This fireplace is perfect for partition walls or as a room divider between the living room and kitchen. You can choose between manual or automatic bioethanol burners, offering adjustable flame levels and remote control for added convenience. Made from 4 mm powder-coated stainless steel with tempered glass, the Foco Two ensures a stable and beautiful flame experience, adding a modern touch to any home.

TECHNICAL SPECIFICATIONS

Burner - Features

Adjustable flame	Yes
Control	Automatic
Control	Manual
Minimum room size	75 cubic metres
Burner Model	4 Litre Superior
Burner Model	Planika PrimeFire 700
Flame length	60 cm
Remote control	Additional purchase
Burning time up to	7 hours
Capacity	4.0 Litres
Power requirements	No
Power requirements	Yes
Heat output (max)	4,4 kW

Size

Length/Width	100 cm
Height	50 cm
Depth	40 cm
Weight	30 kg

Appearance

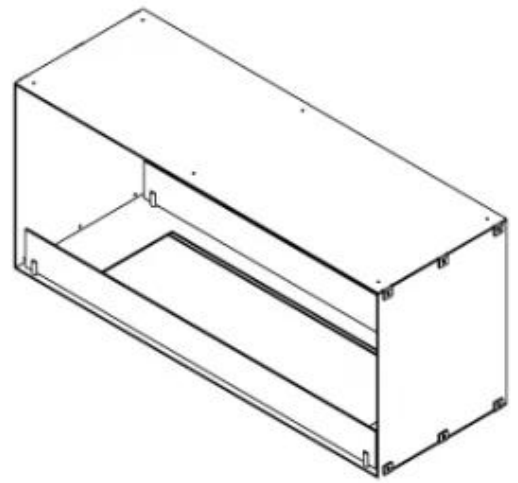
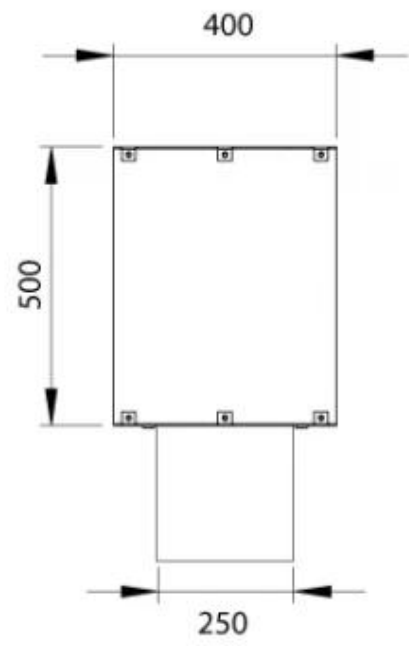
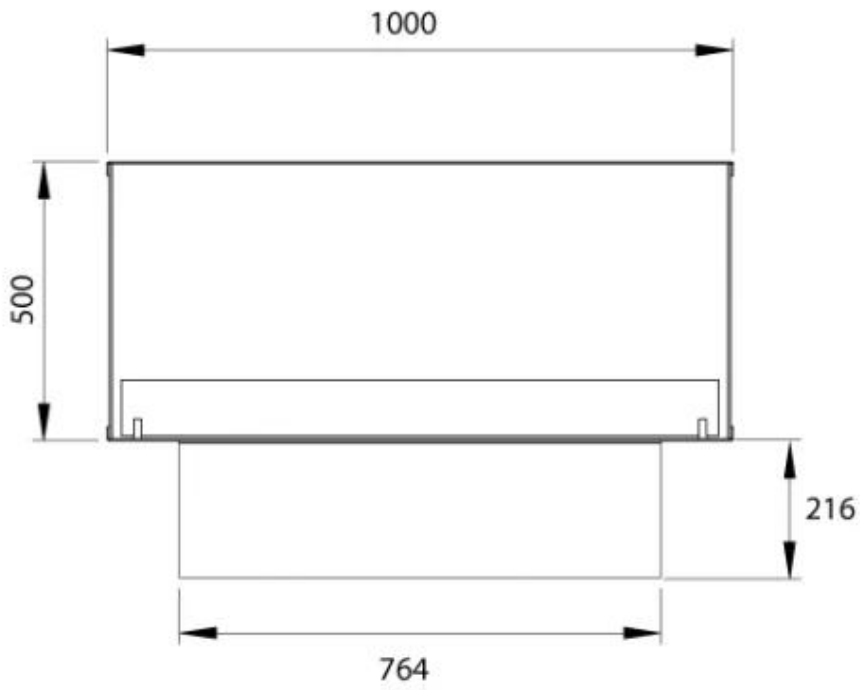
Material	Steel
Steel Thickness	4 mm
Colour	Black
Glas included	Yes

Type

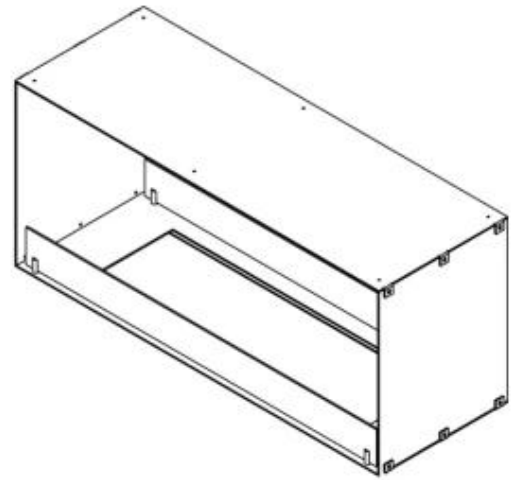
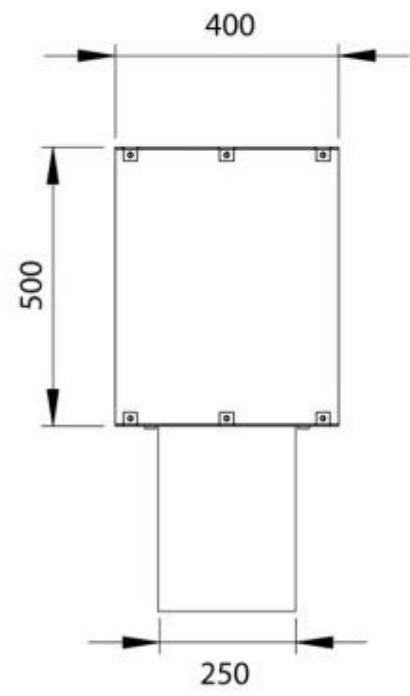
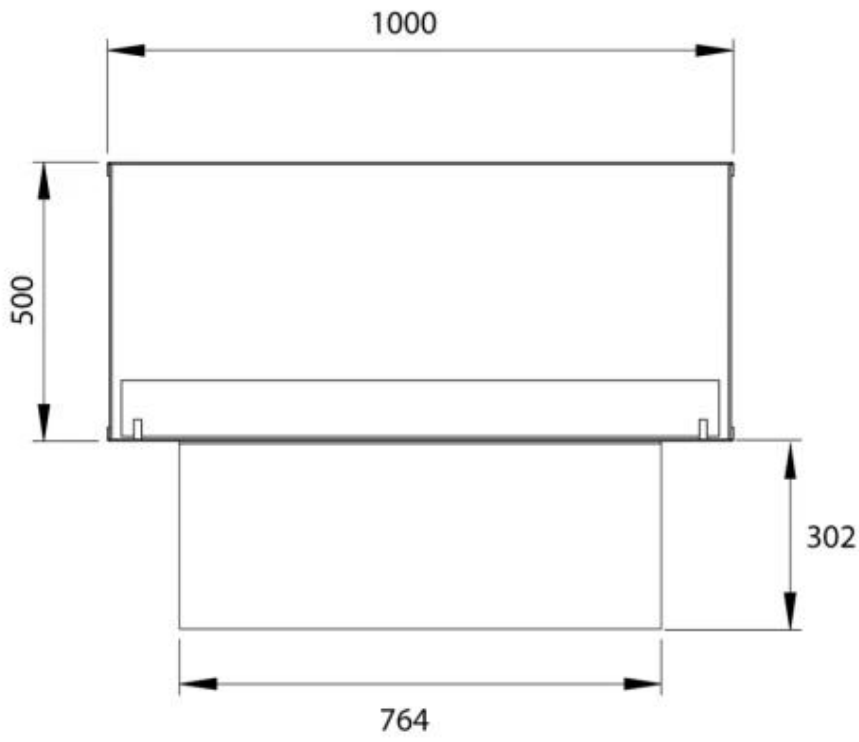
Product type	See-through Built-in Bioethanol Fireplace
Fuel	Bioethanol
Brand	Foco
Flue/Chimney	Not Required
Use	Indoor
Warranty	2 years
Recommended air change rate	1



Foco Two 1000 - FLA4



Foco Two 1000 - FLA4+



PrimeFire

