

BIO-30-012 // 140 cm Two-sided Bioethanol Fireplace

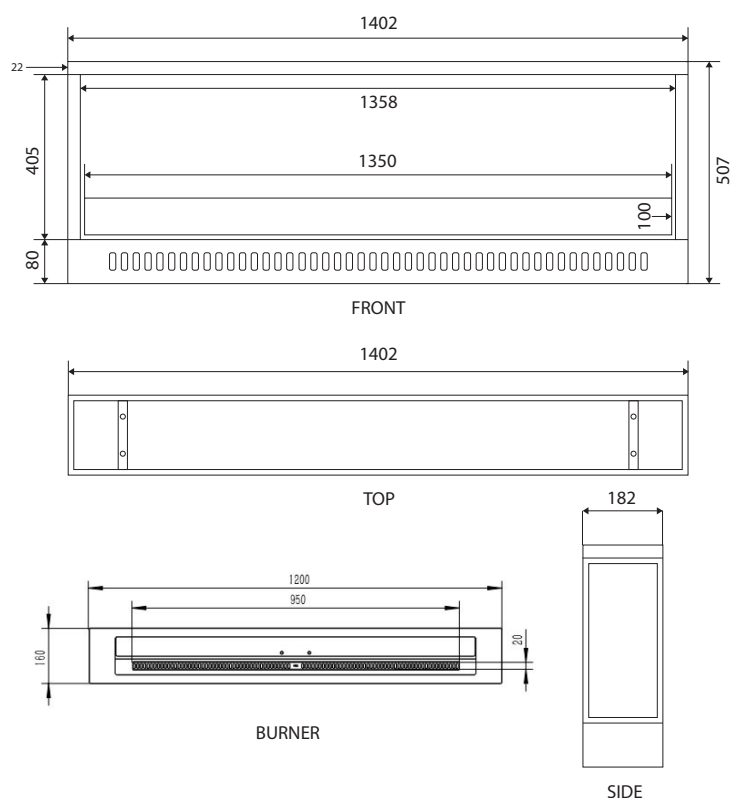
Technical Specifications

Fireplace Type	Two-sided built-in bioethanol fireplace
Fuel	Bioethanol, max. 97.5% alcohol
Weight	30.5 kg.
Materials	Stainless Steel, Tempered Glass
Size	Height: 507 / Width: 1402 / Depth: 182 mm.
Colour	Black
Burner type	Manual
Capacity	6.0 liter
Adjustable flame	Yes
Burn time	Up to 6.5 hours
Requires electricity	No
Heat effect	8.61 kW/h

Pictures



Technical Drawings



www.biofireplacegroup.com

Date of publication: 24/09-2018