

# BIO-30-002 // 96.5 cm Built-in Bioethanol Fireplace

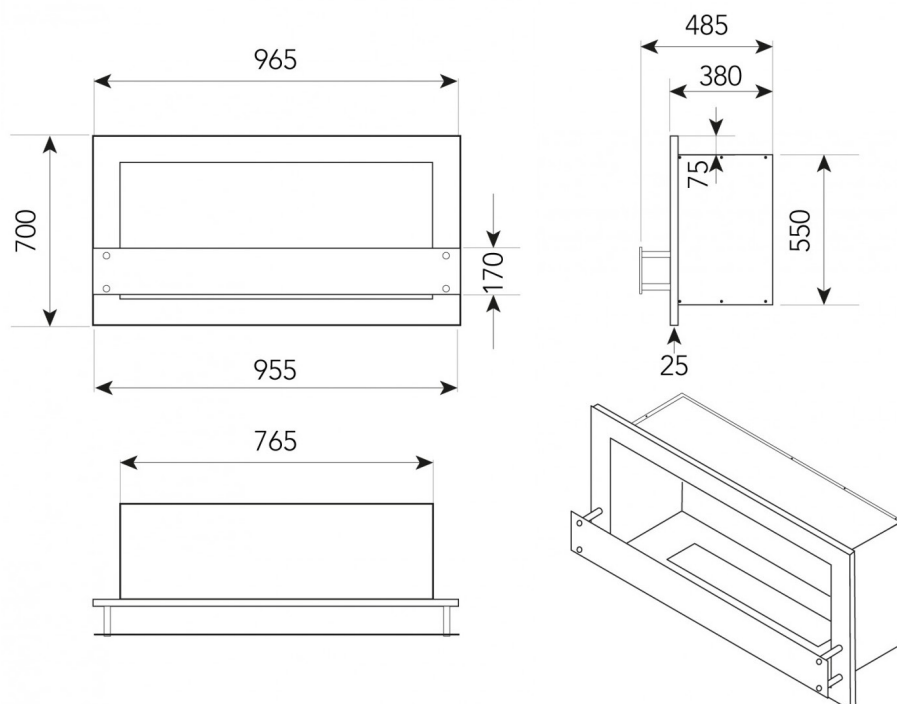
## Technical Specifications

Fireplace Type	Built-in bioethanol fireplace
Fuel	Bioethanol, max. 97.5% alcohol
Weight	29.5 kg.
Materials	Stainless Steel, Tempered Glass
Size	Height: 700 / Width: 965 / Depth: 485 mm.
Colour	Steel
Burner type	Manual
Capacity	2.5 liters
Adjustable flame	Yes
Burn time	Up to 6 hours
Requires electricity	No
Heat effect	2.46 kW/h

## Pictures



## Technical Drawings



[www.biofireplacegroup.com](http://www.biofireplacegroup.com)

Date of publication: 24/09-2018