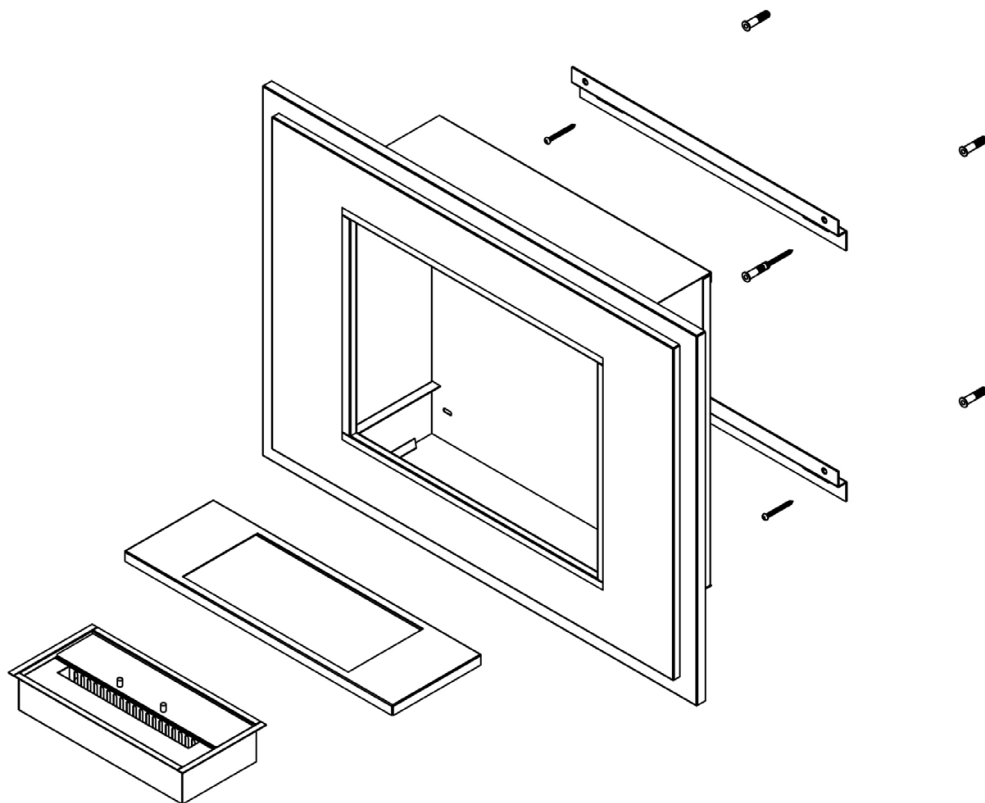




## BIO-10-012



### TECHNICAL SPECIFICATIONS

Type	Wall-mounted bioethanol fireplace
Size	<b>Height:</b> 600 mm / <b>Width:</b> 800 mm / <b>Depth:</b> 215 mm
Materials	Steel
Weight	19 kg.
Burner	Adjustable Manuel Burner (Burner width: 320 mm / Flame width: 240 mm)
Capacity	1,5 Liter
Usage	Approx 0.24 L/h - Up to 6 hours per filling
Fuel	Bioethanol (Recommended 96,6% alcohol)
Colour	Black and steel
Heat Output	2,17 kW
Electricity	No