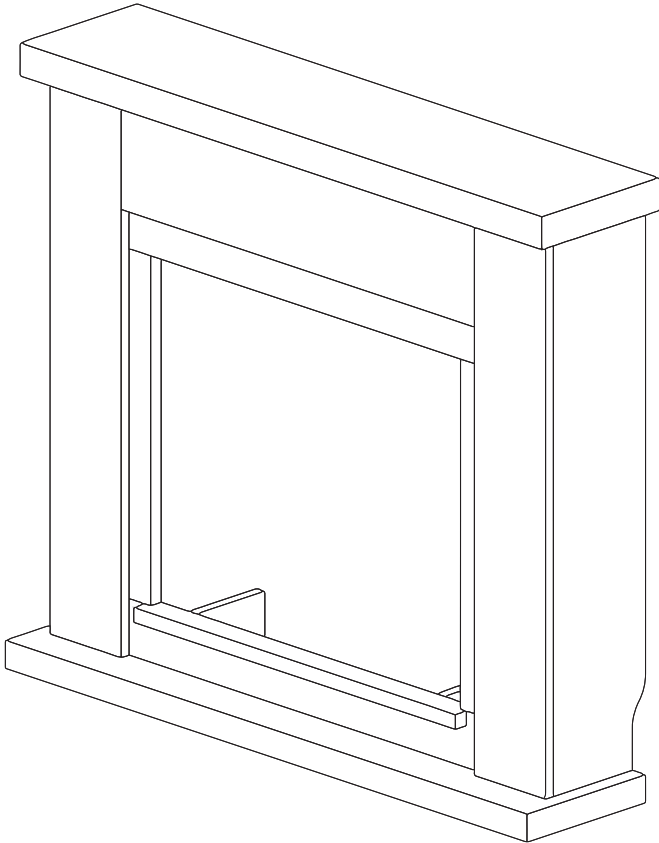
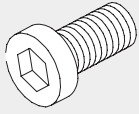


FRODE

FM461

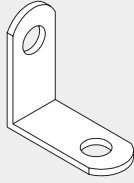


A



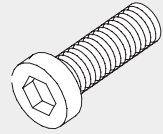
x 20

B



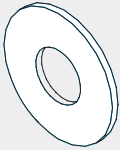
x 10

C



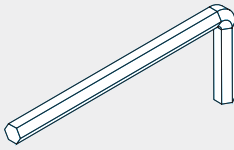
x 19

D



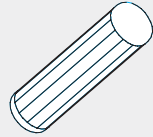
x 19

E

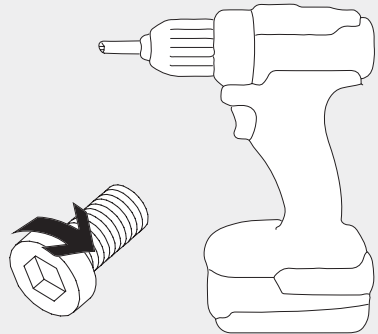
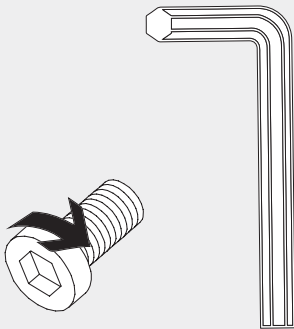


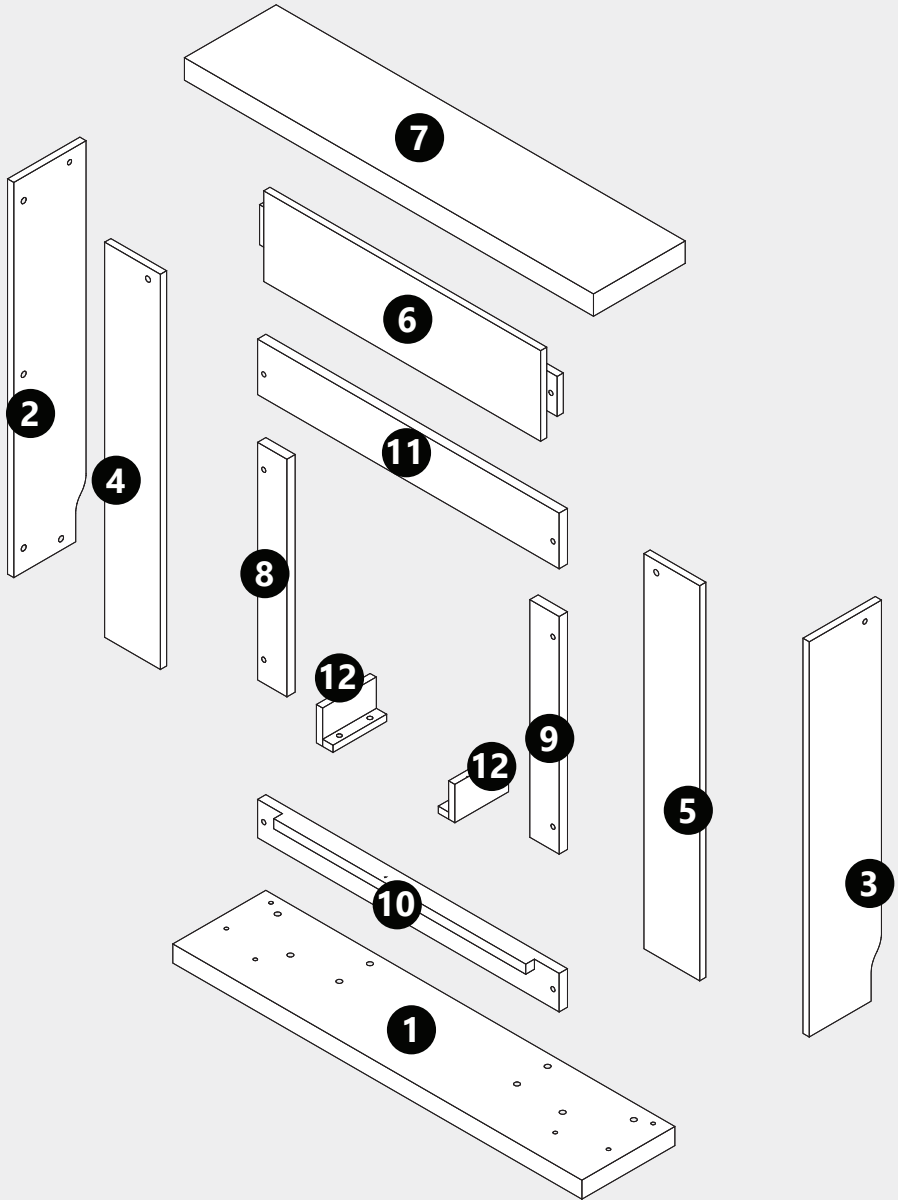
x 1

F



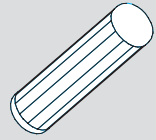
x 6



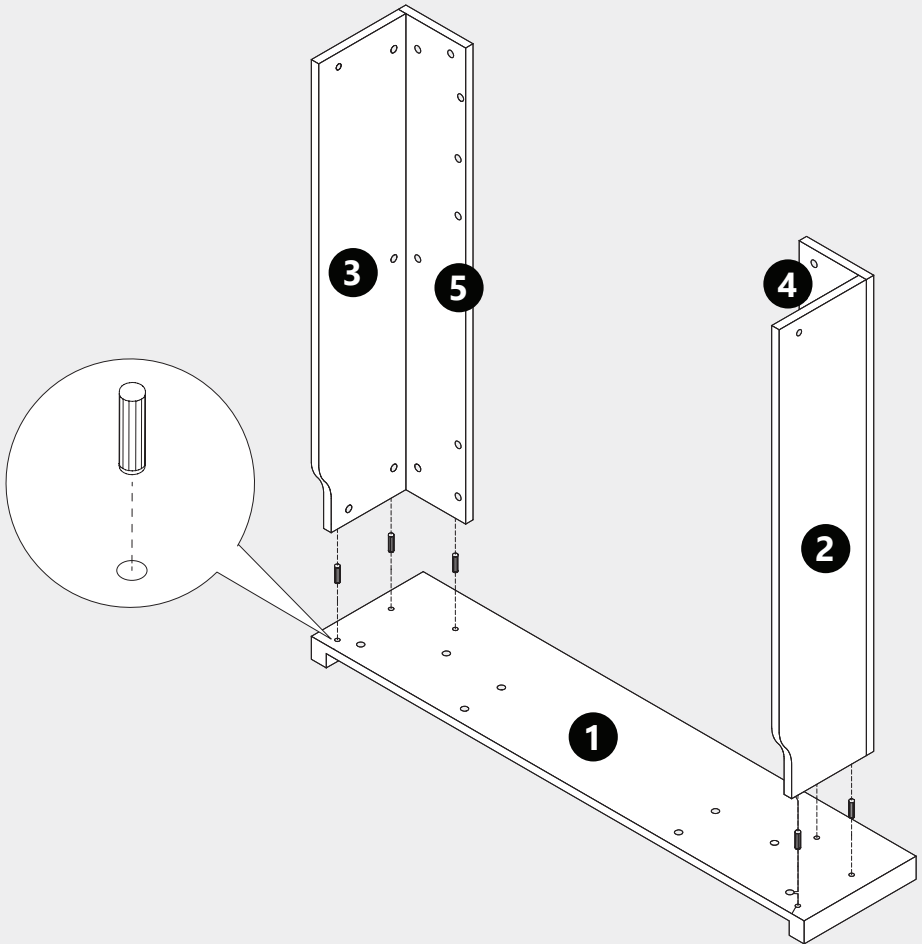


1

F

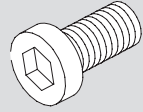


x 6



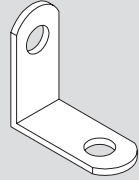
2

A

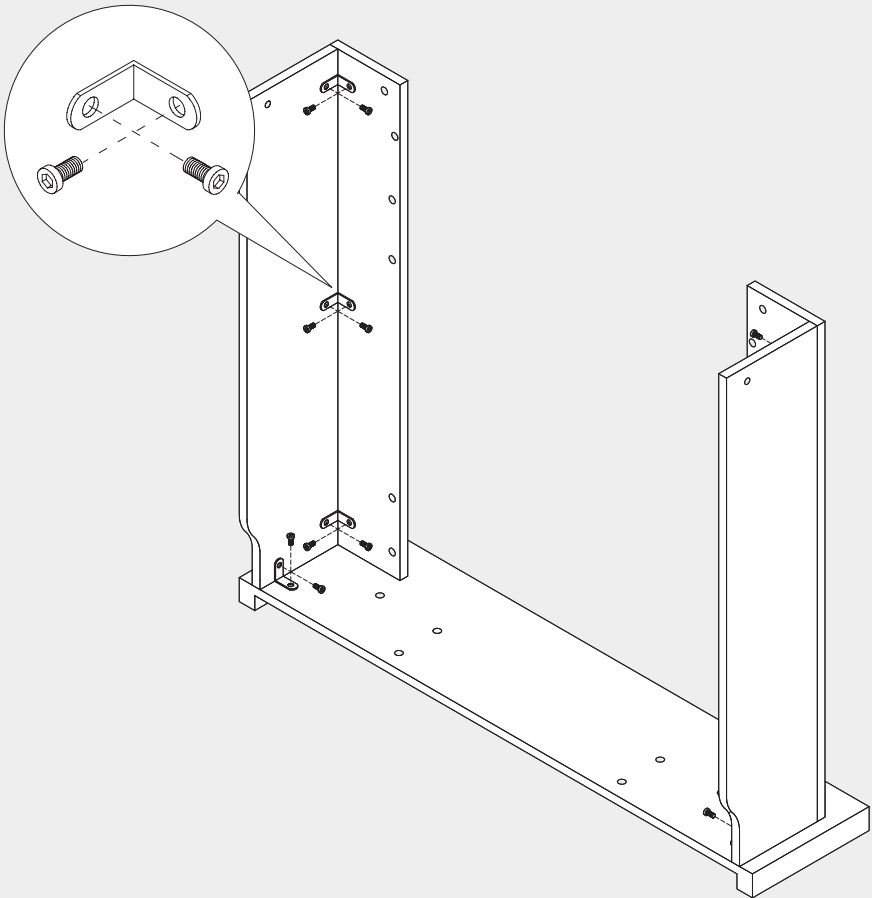


x 16

B

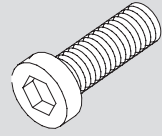


x 8



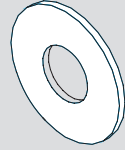
3

C

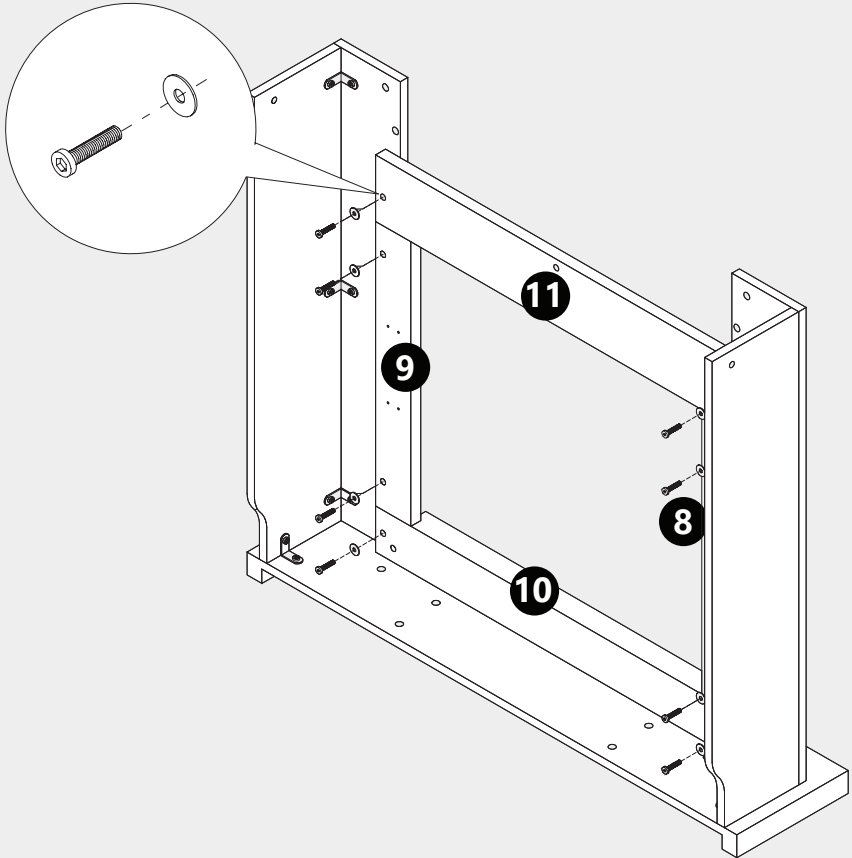


x 8

D

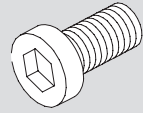


x 8



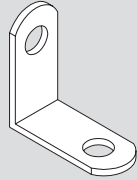
4

A

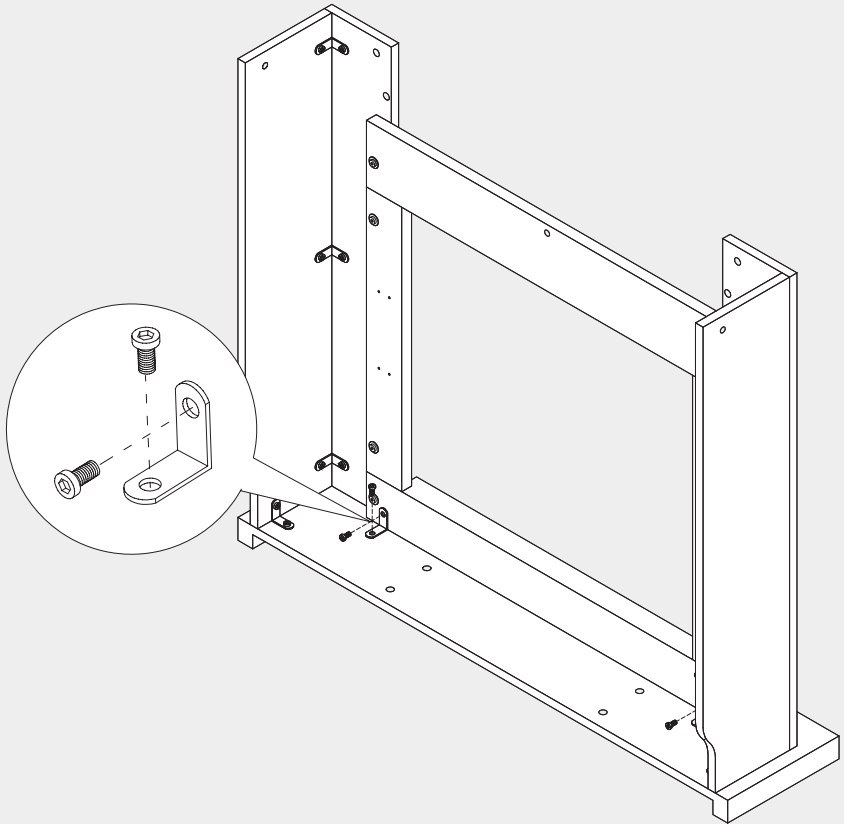


x 4

B

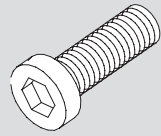


x 2



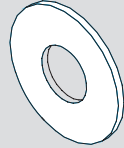
5

C

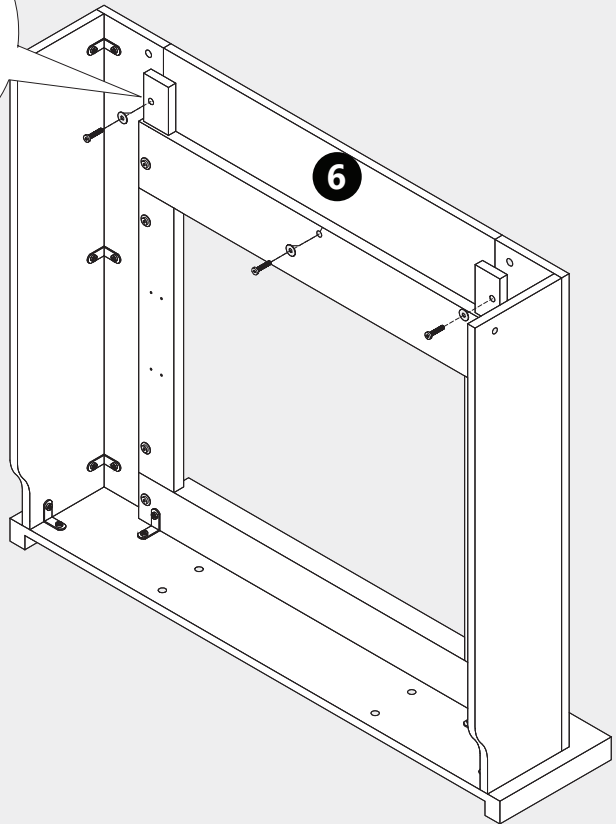
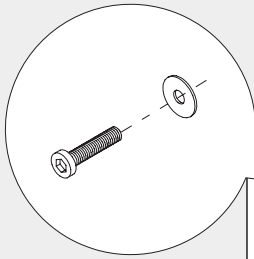


x 3

D

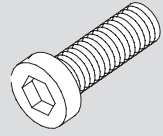


x 3



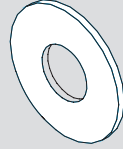
6

C

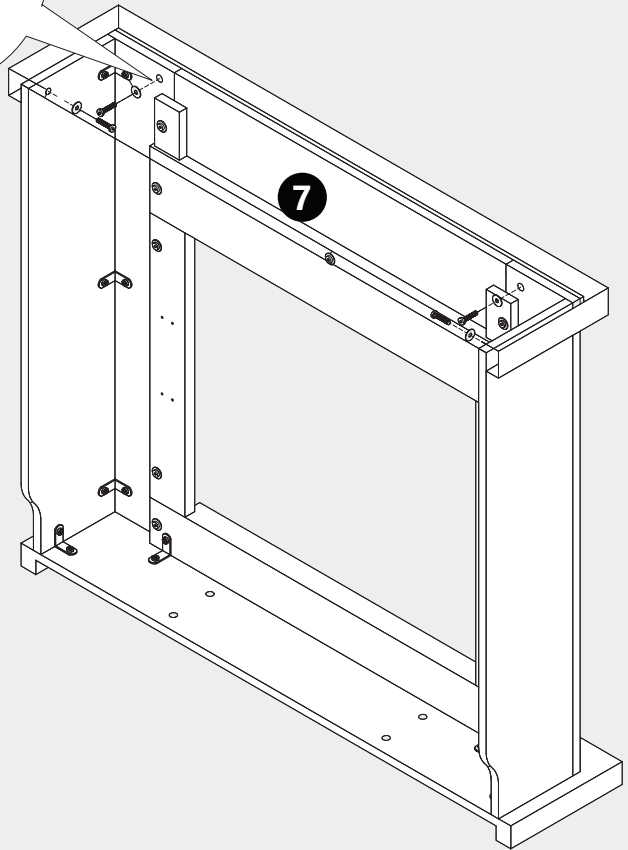
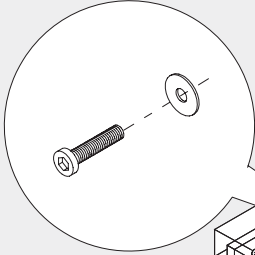


x 4

D

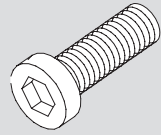


x 4



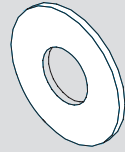
7

C

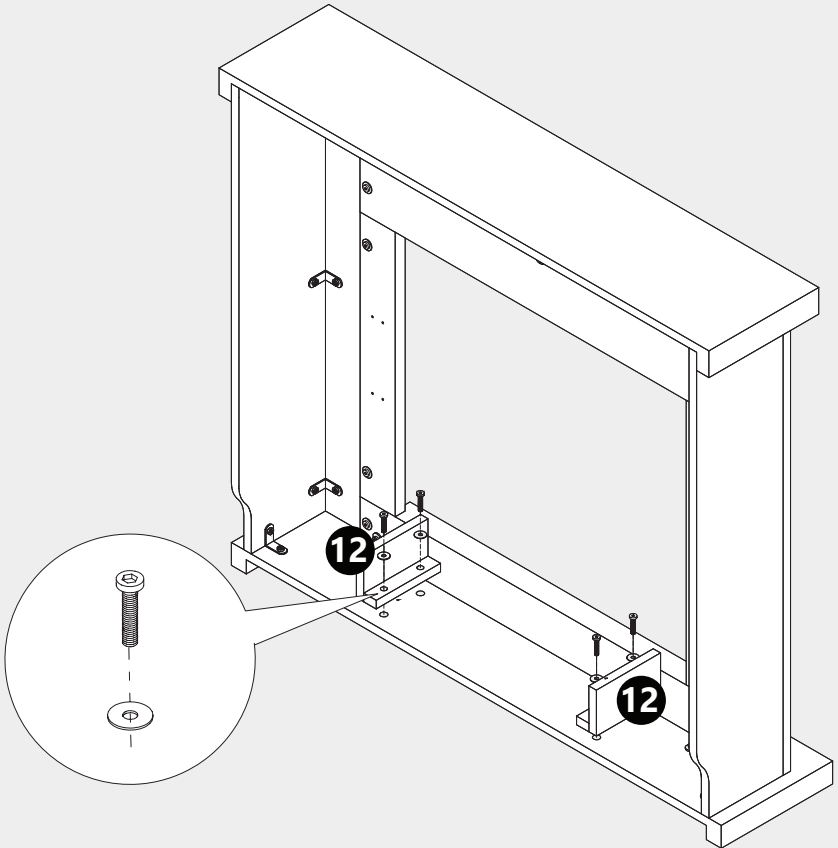


x 4

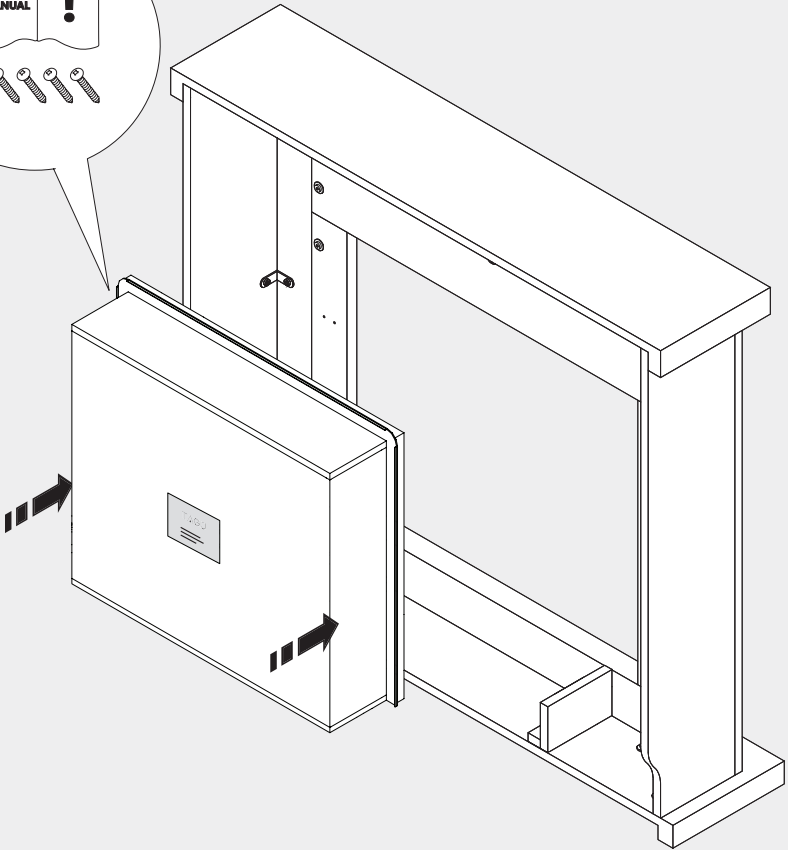
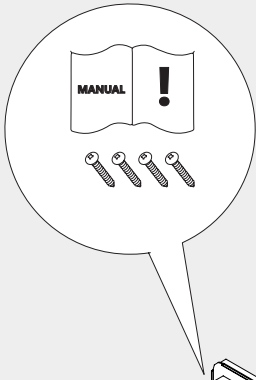
D

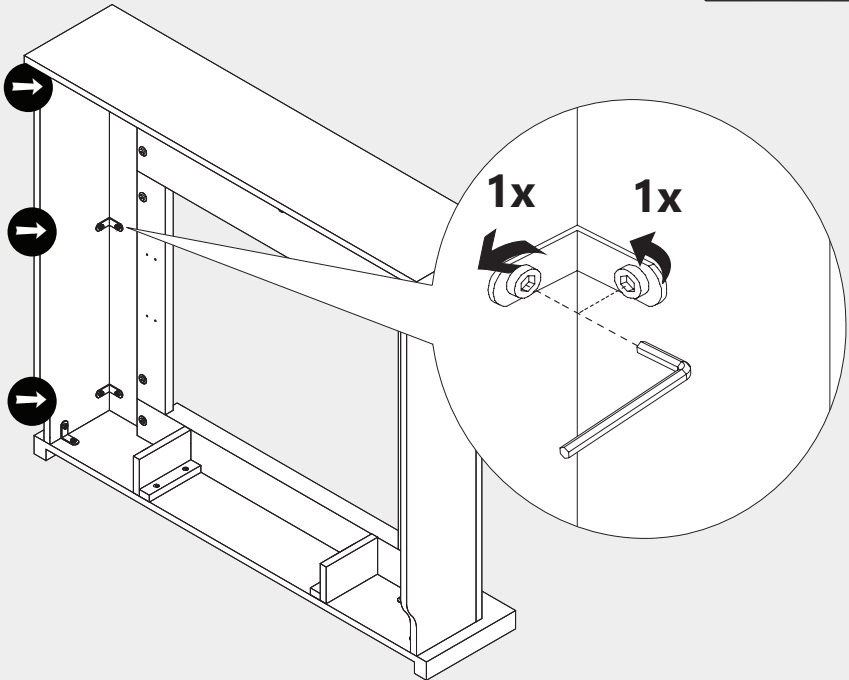
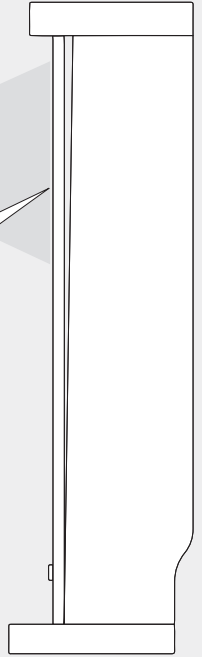
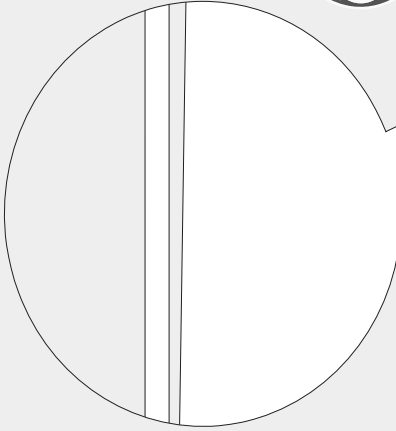


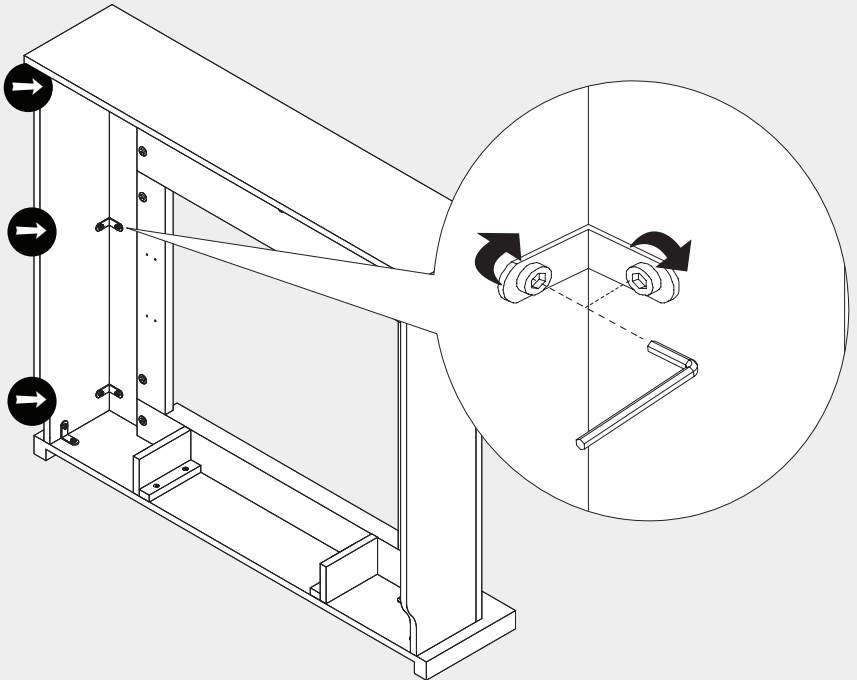
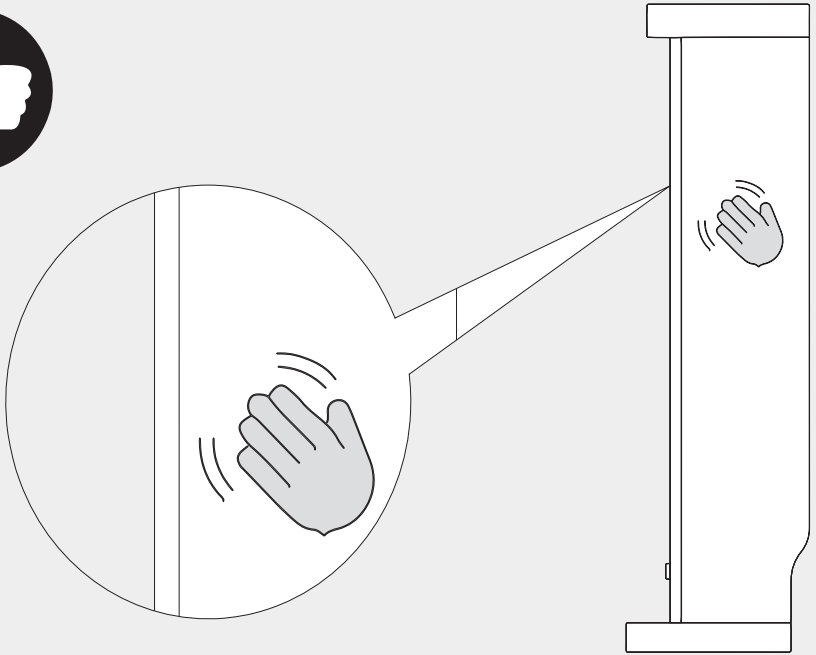
x 4

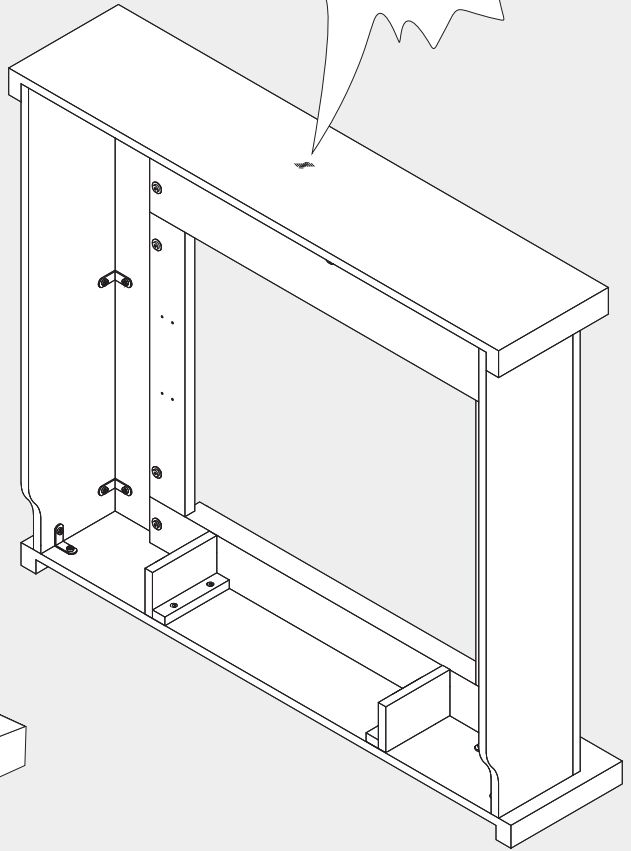
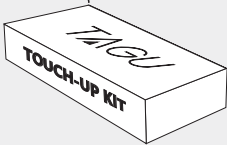
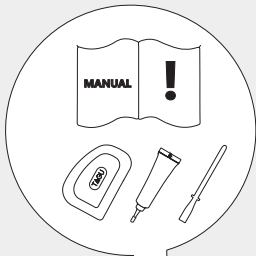


8









PEFOC.RO SRL

Principala 320, Mohu, Sibiu, Romania 557262
www.tagu.eu | help@tagu.eu

REV.17.05.2024

TAGU