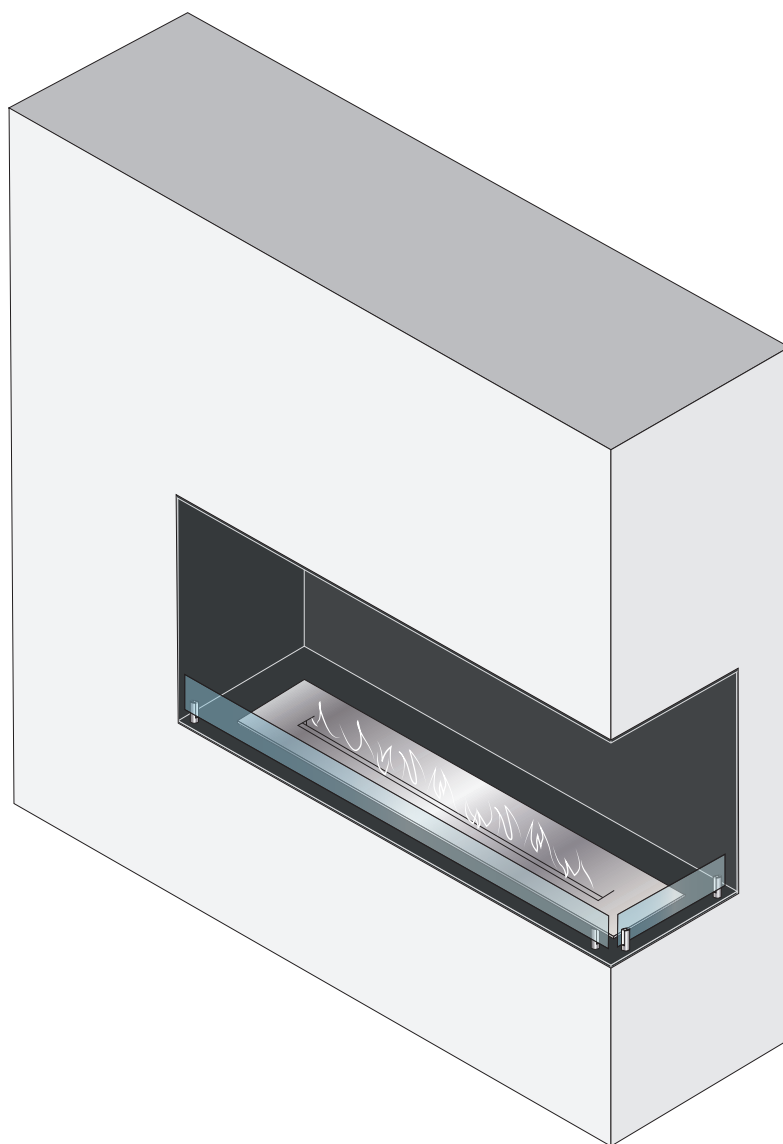


# FOCO

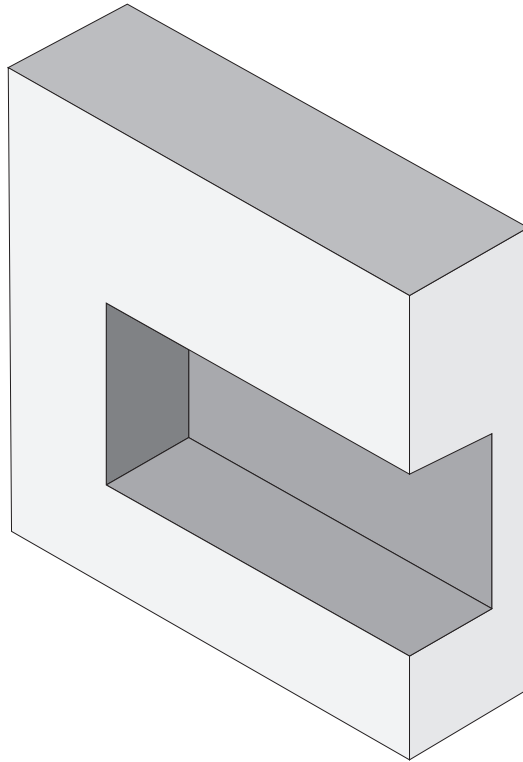
## CORNER RIGHT

Two-sided corner built-in bioethanol fireplace

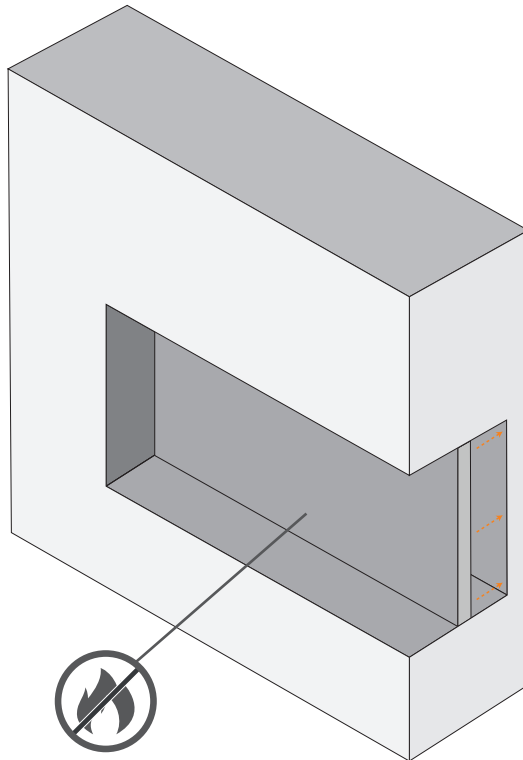
*Danish Design by Bio Fireplace Group*



1

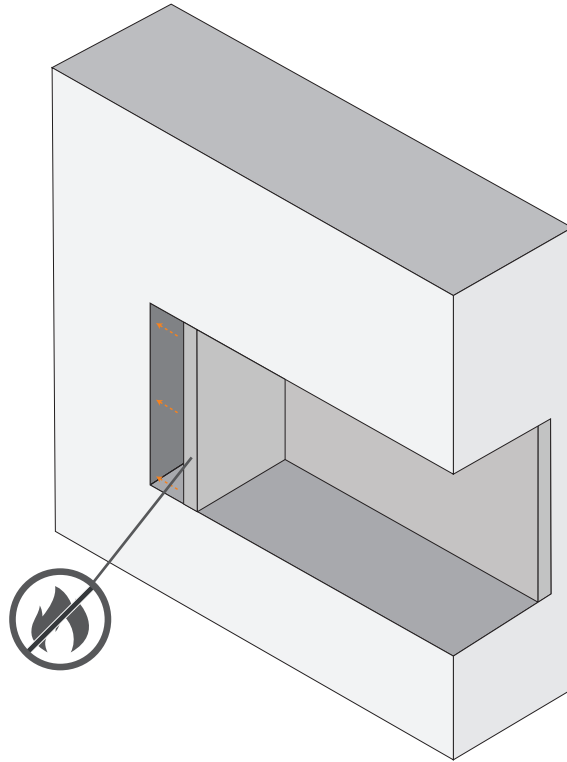


2



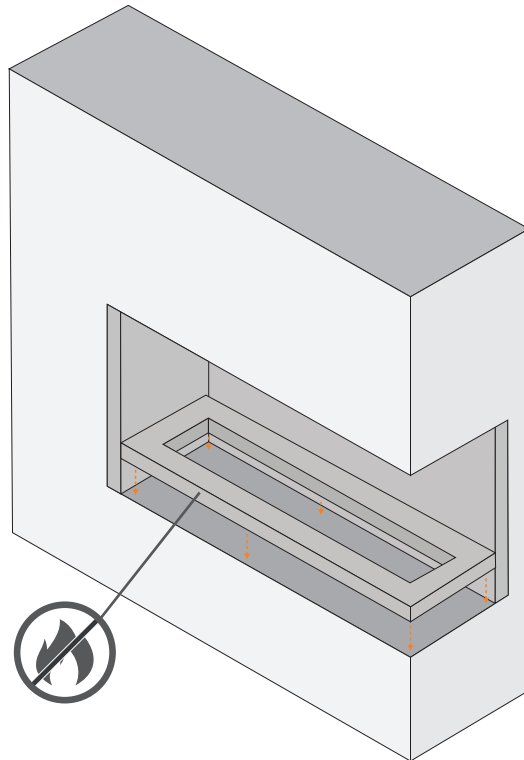
Fireproofing materials are not included - must be purchased separately

3



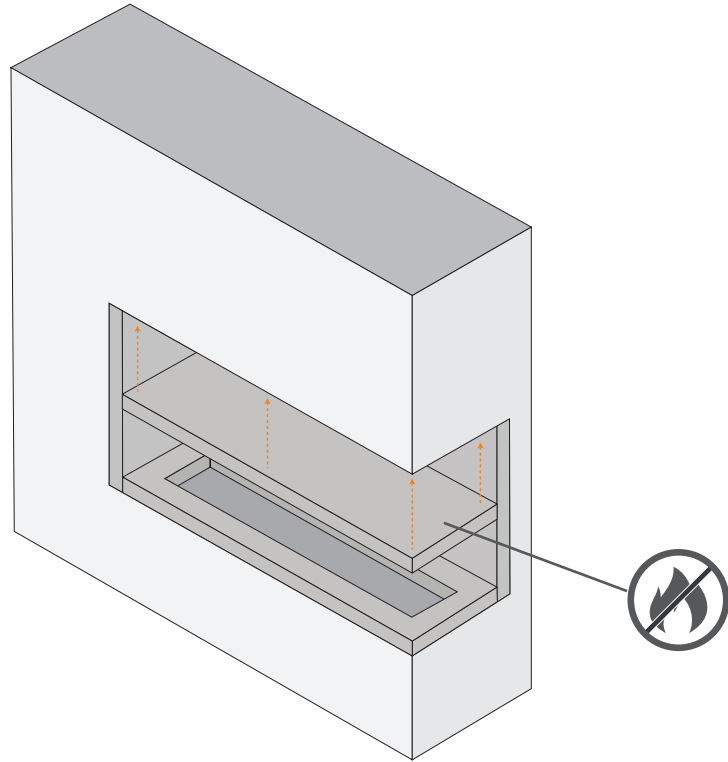
Fireproofing materials are not included - must be purchased separately

4



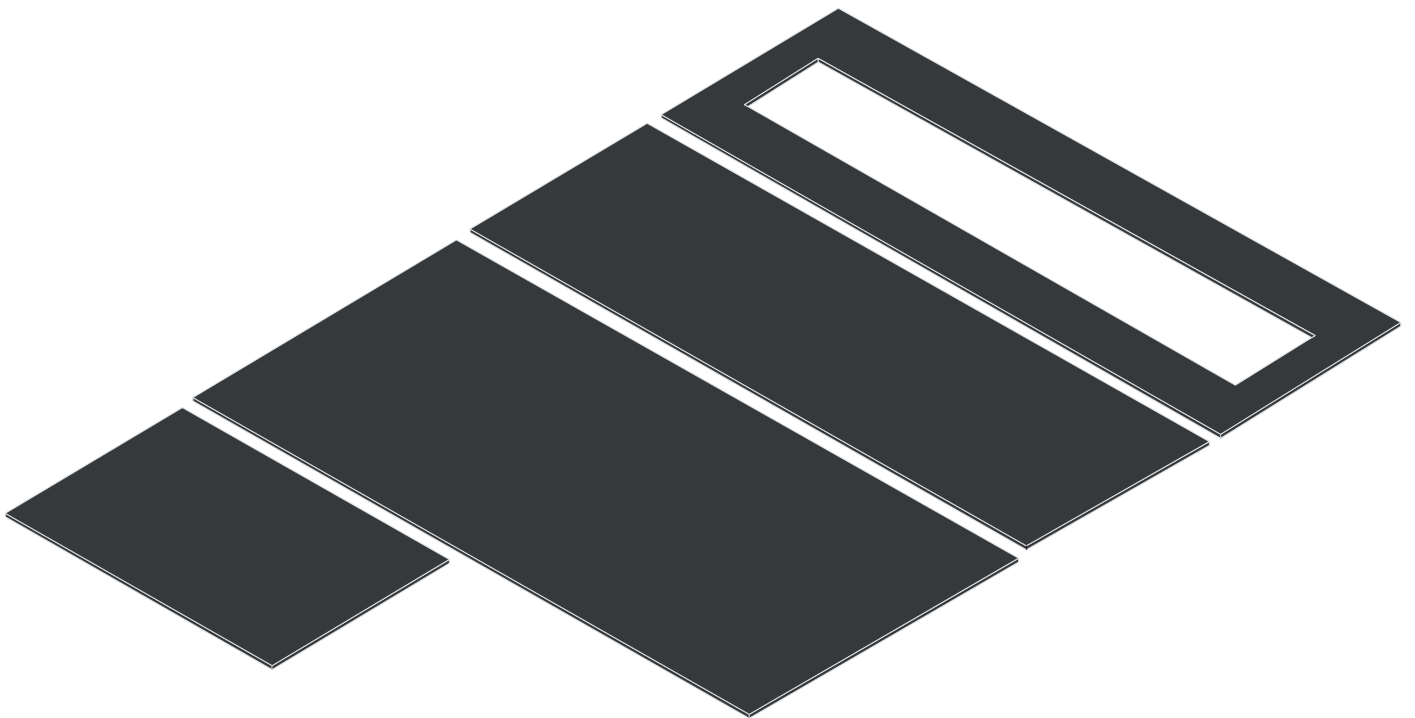
Fireproofing materials are not included - must be purchased separately

5



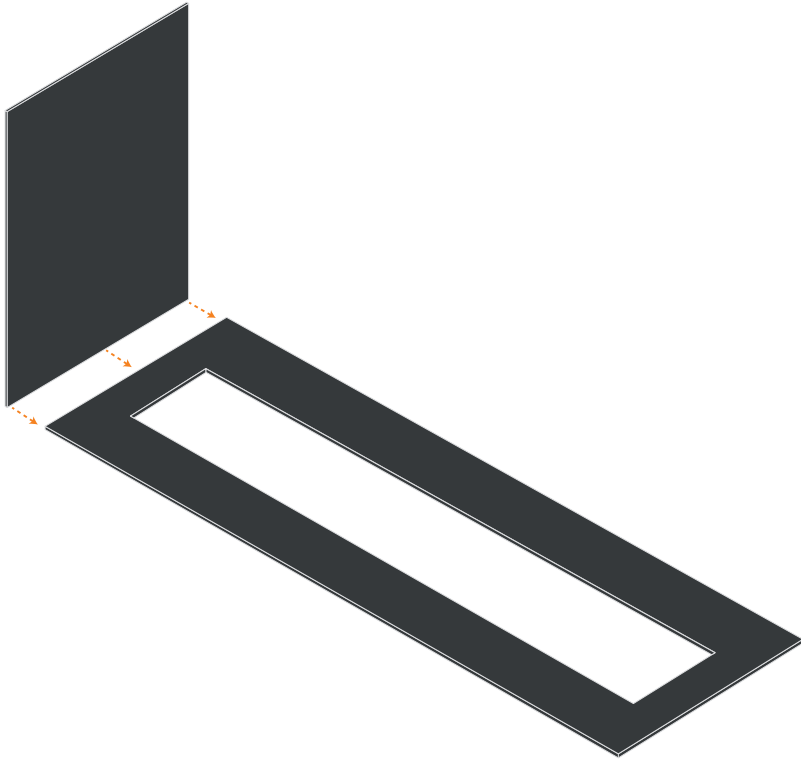
Fireproofing materials are not included - must be purchased separately

6



7

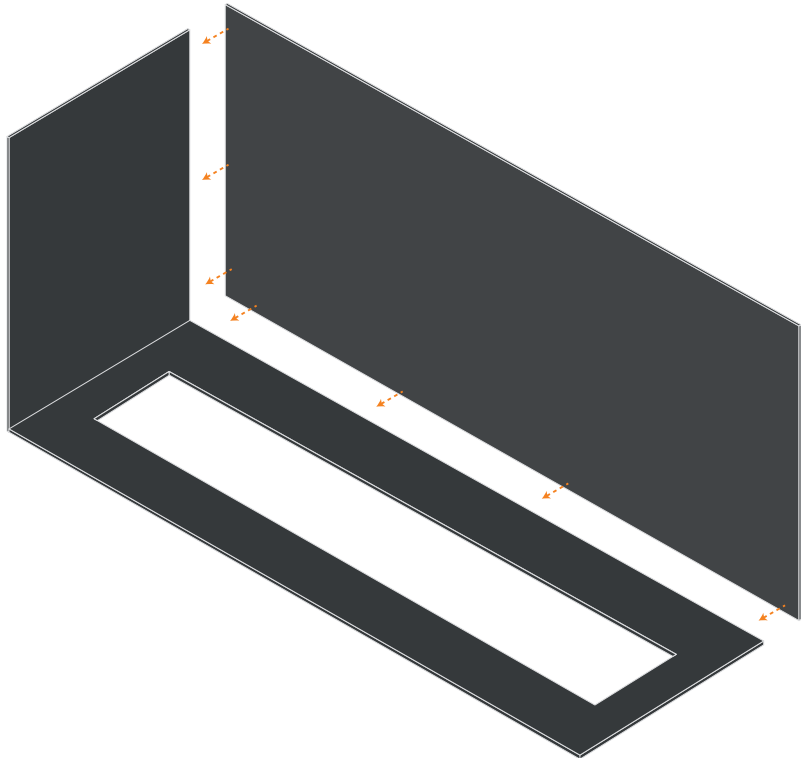
 x3



*Number of required fasteners may vary*

8

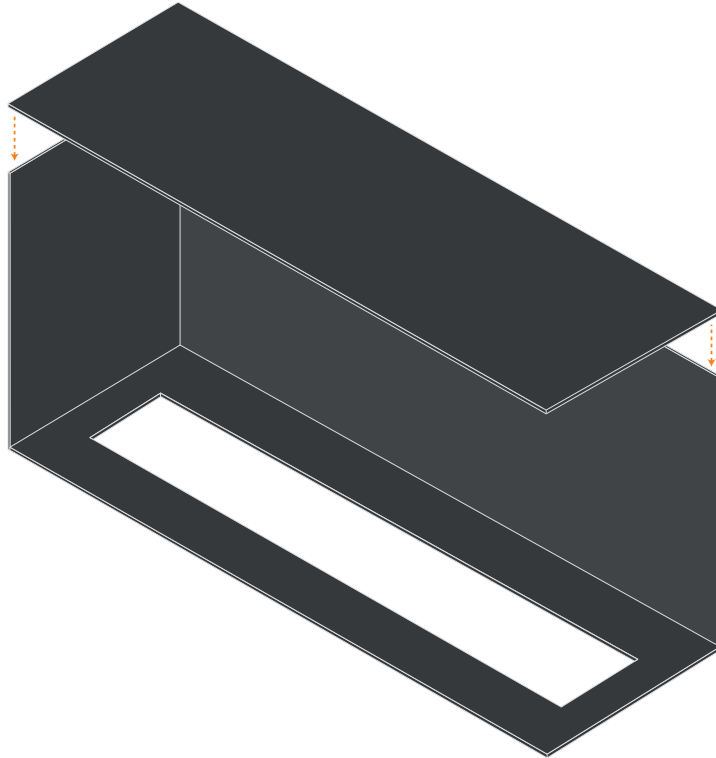
 x6



*Number of required fasteners may vary*

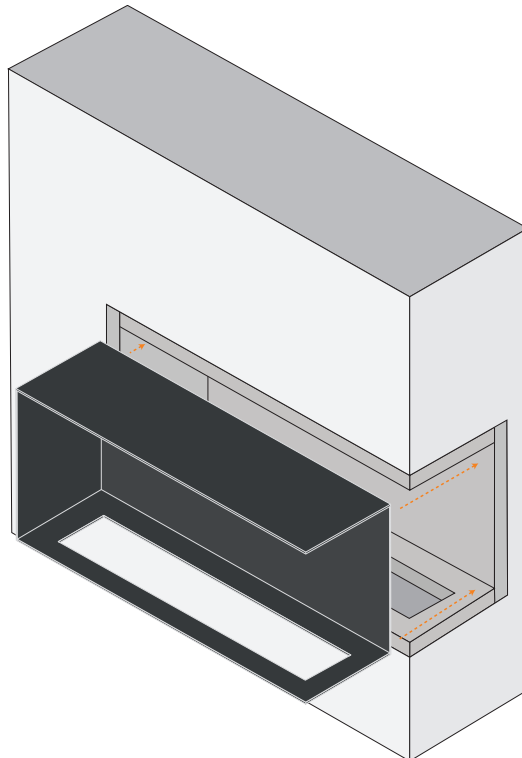
9

 x6



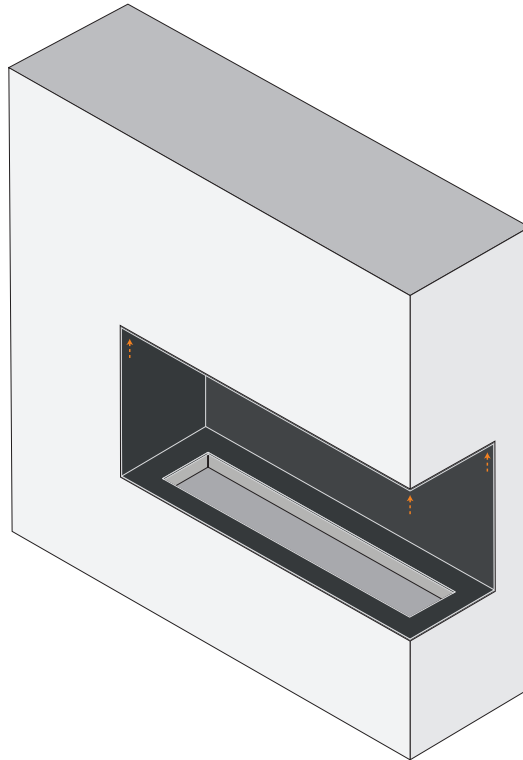
*Number of required fasteners may vary*

10



11

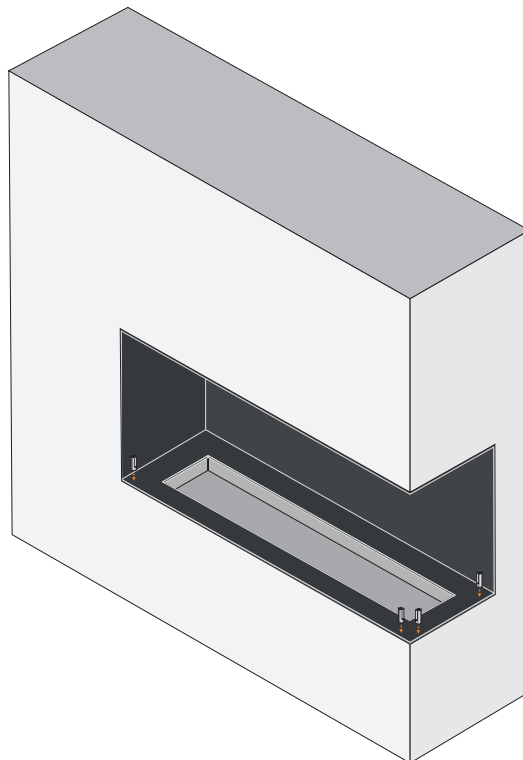
 x4



*Number of required screws may vary*

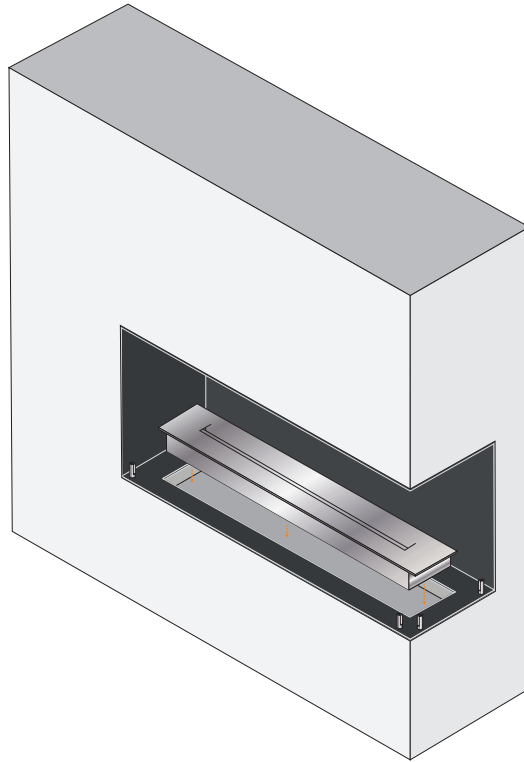
12

 x4

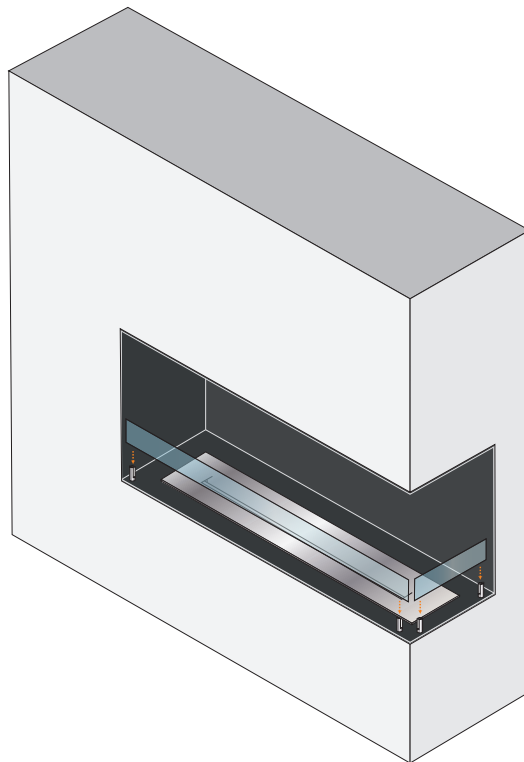


*Number of required screws may vary*

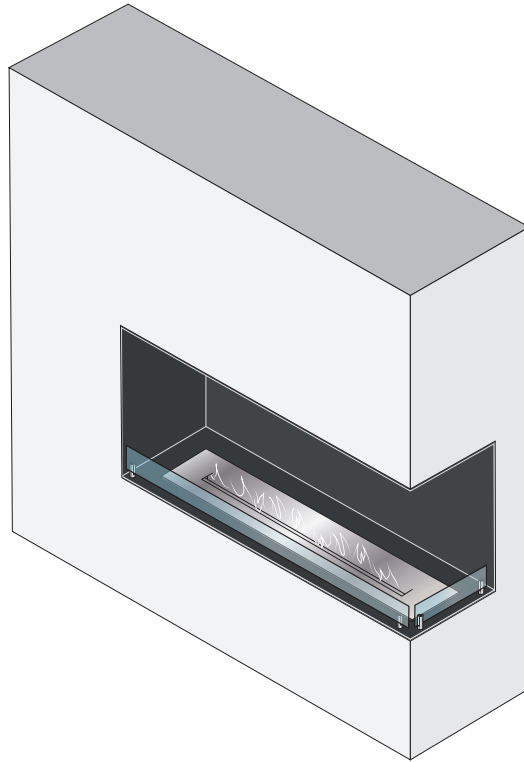
13

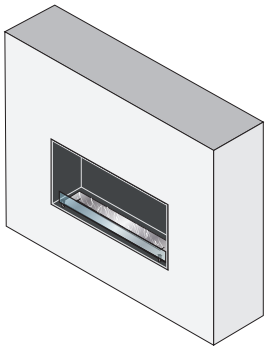


14

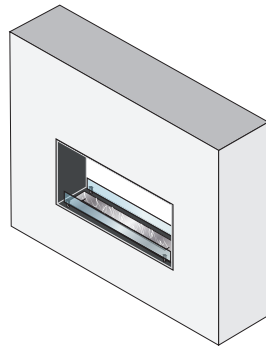




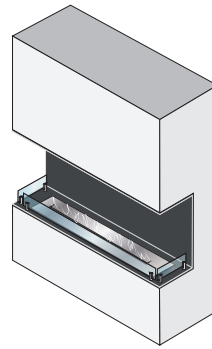




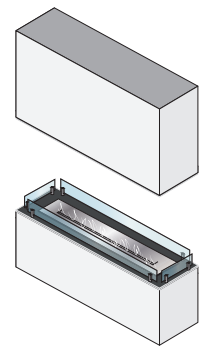
**FOCO**  
ONE



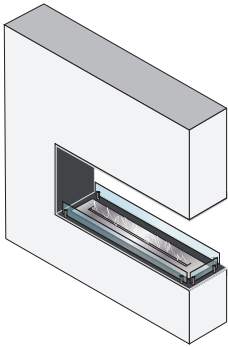
**FOCO**  
TWO



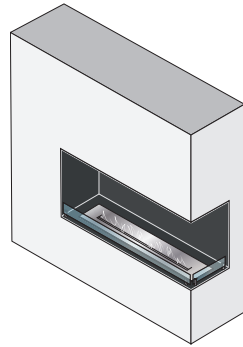
**FOCO**  
THREE



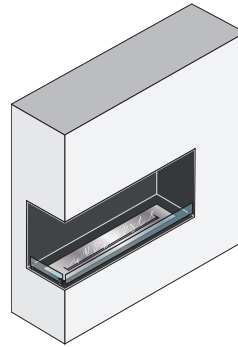
**FOCO**  
FOUR



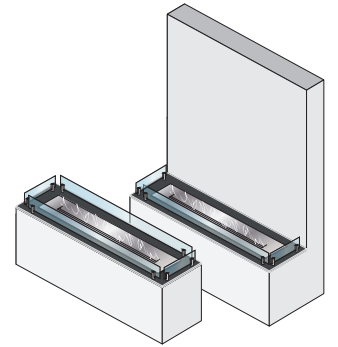
**FOCO**  
ROOM DIVIDER



**FOCO**  
CORNER RIGHT



**FOCO**  
CORNER LEFT



**FOCO**  
FREE

